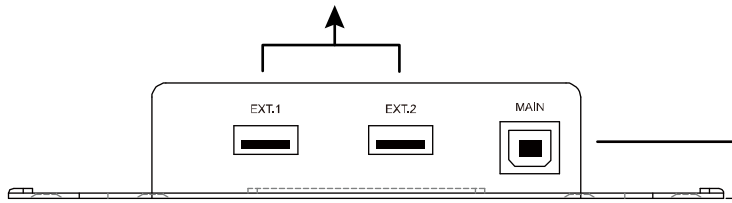


Hardware

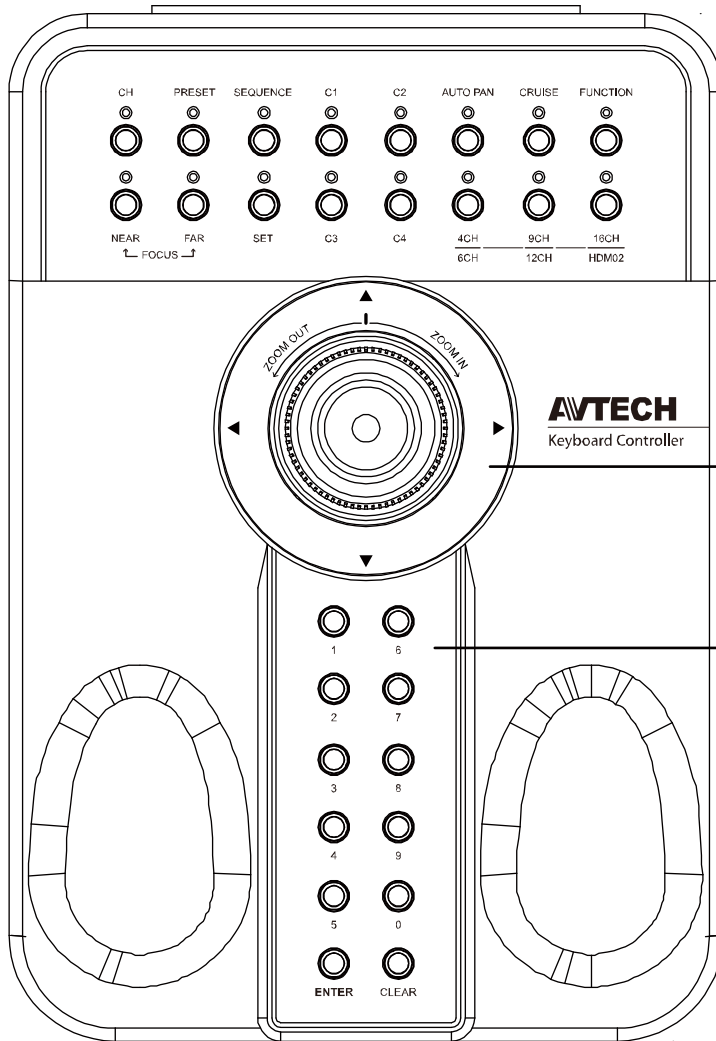
EXT.1 & EXT.2 (USB Type A)

Connect to a USB flash drive or mouse when used with DVR / NVR



MAIN (USB Type B)

Connect the USB port on DVR / NVR / PC with the supplied power cable



PTZ Control Pad

Press to enable PTZ functions.
For details, please see the section, "PTZ Control Pad"

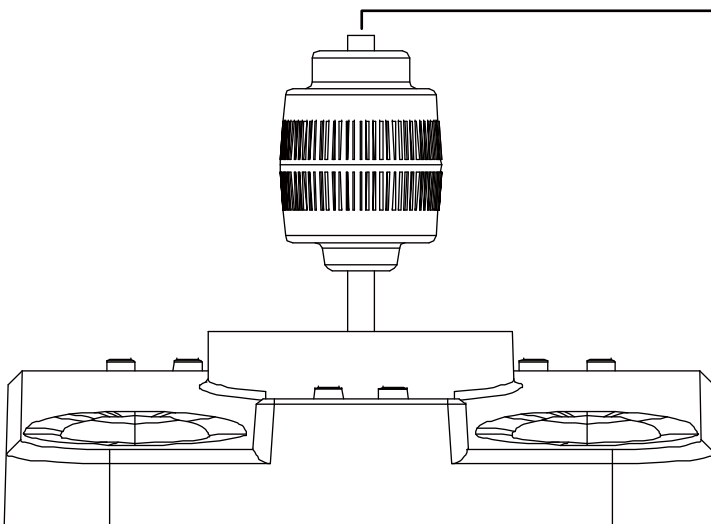
Joystick

1. Rotate the joystick for video zoom-in / out
2. Move the joystick up / down / left / right to move the camera lens up / down / left / right

Number Pad

1. Press to switch to a specific DVR / NVR channel
2. Press to set the preset point when used with the **PRESET** and **SET** keys, and press **ENTER** to confirm
3. Press to go to the pre-defined preset point when used with the **PRESET** key, and press **ENTER** to confirm

Press for auto focus



Connection

■ **DVR / NVR**

Directly connect to the USB port of AVTECH DVR / NVR, and you're ready to use this controller.

■ **PC (with CMS Lite / Standard / Pro installed)**

Open CMS Lite / Standard / Pro to connect to AVTECH DVR / NVR / IP speed dome camera.

Then, connect this controller to the USB port of your PC, wait till the system prompts for driver installation, and you're ready to use it now.

PTZ Control Pad

■ **Switch to a channel** (when the speed dome camera is connected to a recorder (DVR or NVR))

Press **CH** to enable this function (LED indicator on), and press one number key on the number pad to switch the video channel to the one with a speed dome camera connected.

■ **Restore to multi-channel view** (when the speed dome camera is connected to a recorder (DVR or NVR))

Press **4CH / 9CH / 16CH** to switch the display view to 4CH / 9CH / 16CH respectively.

■ **Adjust camera focus**

Press **NEAR / FAR** to manually adjust the focus of the speed dome camera.

■ **Set a preset point**

- Move the camera view to where you want set as a preset point.
- Press **PRESET** to enable this function (LED indicator on).
- Press **SET**, and the LED indicator of **PRESET** starts flashing.
- Press one of the numbering on the number pad, and press **ENTER** to confirm.

■ **Go to a preset point**

- Press **PRESET** to enable this function (LED indicator on).
- Press the numbering where a preset point is defined on the number pad, and press **ENTER** to confirm.

■ **Enable camera cruising**

Press **AUTO PAN** to command the camera to pan automatically.

Press **CRUISE** to start moving to the points pre-defined and grouped in the camera. To know more details, please refer to the camera user manual.

Note: The following keys, **C1, C2, C3, C4, FUNCTION, 6CH, 12CH, HDM02** and **CLEAR** are reserved for future use.

Specifications

Joystick performance	3-axis joystick for PTZ control
LED Indicator	6 indicators for CH / PRESET / SEQUENCE / AUTO PAN / CRUISE / FUNCTION
Interface	USB port
Supported protocols	Fully compliant with USB Hub Specification version 2.0 and is also backward compatible with USB Hub specification 1.1
Buttons	25 dedicated buttons / 4 programmable buttons
Connectors	USB Type A x 2: For mouse / USB flash drive / keyboard connection to use with DVR / NVR USB Type B x 1: For power supply via PC / DVR / NVR
Compatibility	Compatible with PC, AVTECH NVR and HD CCTV DVR to control AVTECH PTZ camera
Environmental	Indoor
Operating Temperature	0°C ~ 60°C
Power	Via USB interface (DC 5V) / 100mA
Dimensions(mm)**	224.6(L) x 154.7(W) x 106.8(H)
Weight	555g

* The specifications are subject to change without notice.

** Dimensional tolerance: ±5mm